



ASCO Power Technologies™

MyQuotes Accessory Guide

ascopower.com

Life Is On

Schneider
Electric

MyQuotes Accessory Guide

Document Contents

300 Series Automatic Transfer Switches	3
Automatic Transfer Switch Kits	10
MTS and Quick Connects	13
Appendix	16

300 Series Transfer Switch Accessories

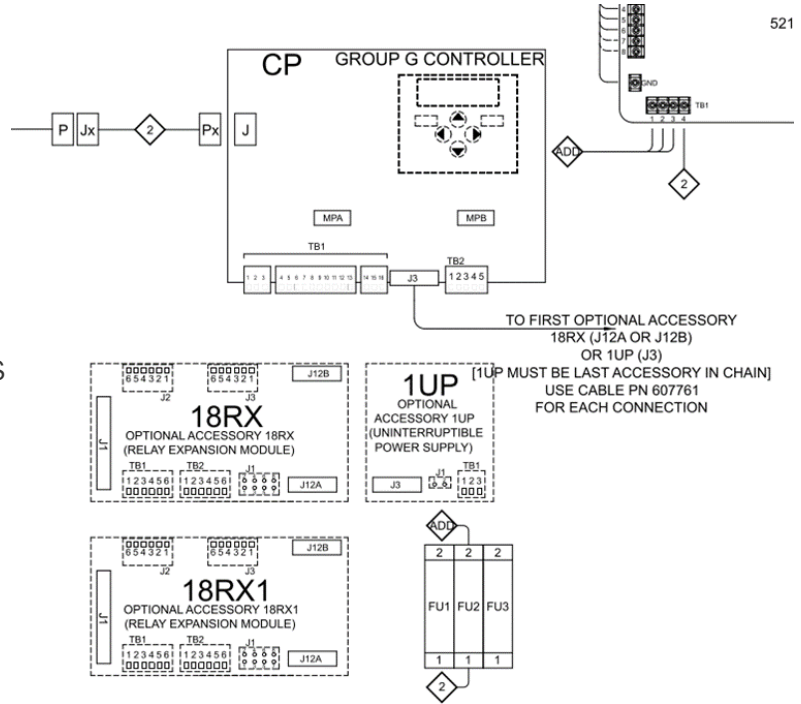
Section Contents

Accessory 1UP (Backup UPS)	4
Accessory 11BE (Technology Bundle)	4
Accessory 18RX (Relay Expansion Module)	5
Accessory 18RX2 (Relay Expansion Module)	5
Accessory 23GA (Single Phase Metering)	6
Accessory 23GB (Three Phase Metering)	6
Accessory 30A (Load Shed)	7
Accessory 34B (Inhibit Transfer to Emergency)	7
Accessory 44G (Space Heater)	7
Accessory 62W (Transfer Alarm)	7
Accessory 72EE (Communications Module)	8
Accessory 73 (TVSS)	8
Accessory 119BG (Shunt Trip)	8
Accessory 119M (Arc-Energy Reduction)	8
Accessory 125A (Seismic)	9
Accessory 134 (100% Rated Breaker)	9
Accessory 135L (ASCO Power Meter)	9

Accessory 1UP

1UP is a backup UPS which allows the controller to continue to operate for approximately 30 seconds to 3 minutes after a loss of sources.

This is going to vary by how many devices are backed up by the UPS



Accessory 11BE

The 11BE is the Advanced-Function Software Bundle and would cause the 300 Series Switch to include a variety of expanded features. There are a variety of videos available on how to configure this software package available at the link below:

[ASCO 11BE Accessory](#)

Expanded Features:

- Serial Communications (RS-485)
- Programmable Engine Exerciser
- Event Log
- Common Alarm

3 Phase Sensing:

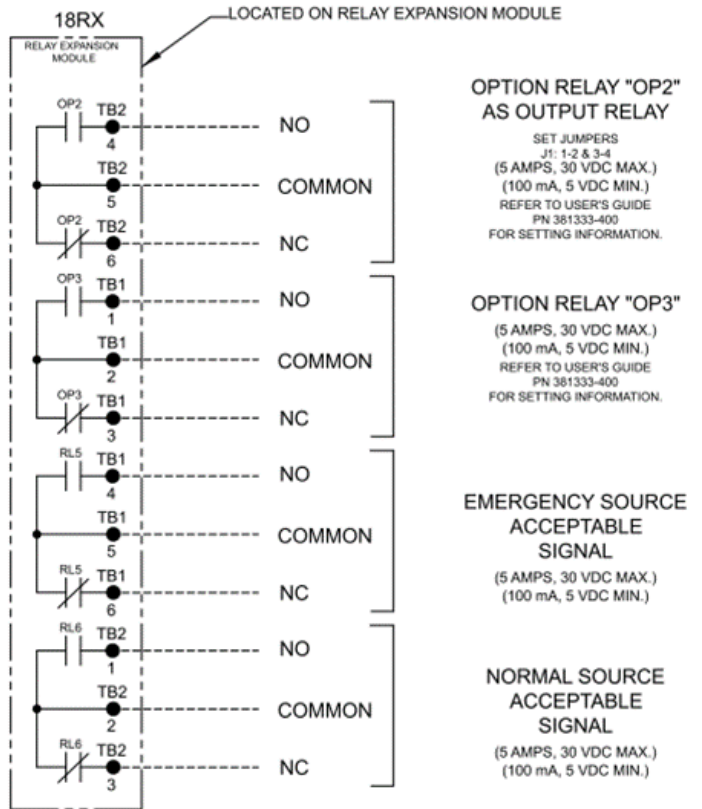
- 3 Phase Emergency Sensing
- Phase Rotation (Configurable)
- Voltage Unbalance

Accessory 18RX

The 18RX is a relay expansion module which includes the following:

- Two Additional Option Relays, bringing the 300 Series switch to a total of 3 Option Relays.
- One Form-C contact for Emergency Source Acceptable.
- One Form-C contact for Normal Source Acceptable.

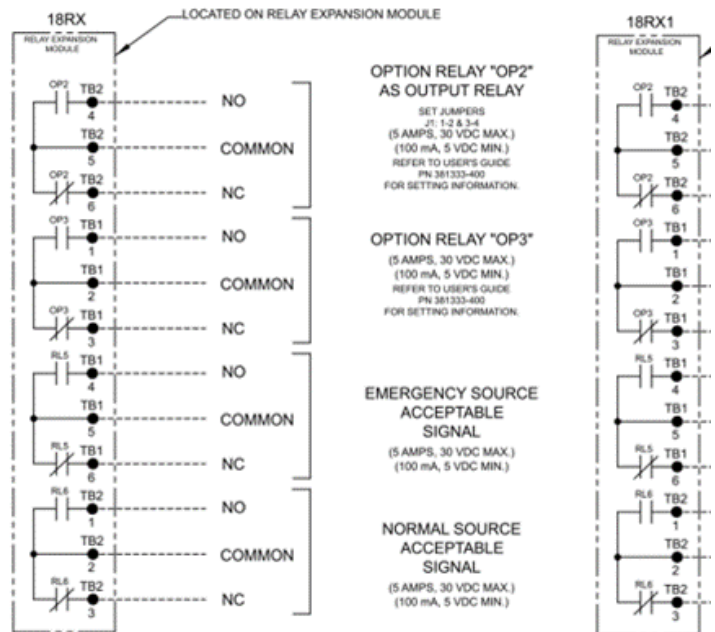
OPTIONAL ACCESSORY 18RX (RELAY EXPANSION MODULE)



Accessory 18RX2

An additional 18RX relay expansion module which includes the following:

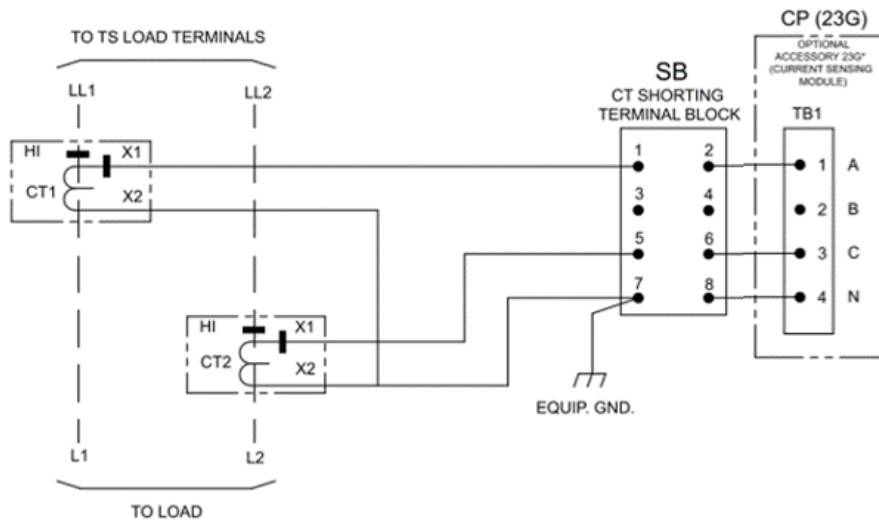
- Two Additional Option Relays.
- One additional Form-C contact for Emergency Source Acceptable.
- One additional Form-C contact for Normal Source Acceptable.



Accessory 23GA

Single phase metering card along with the included CT's and shorting block. This allows the user to see the current measurements on the load terminals through the controller interface.

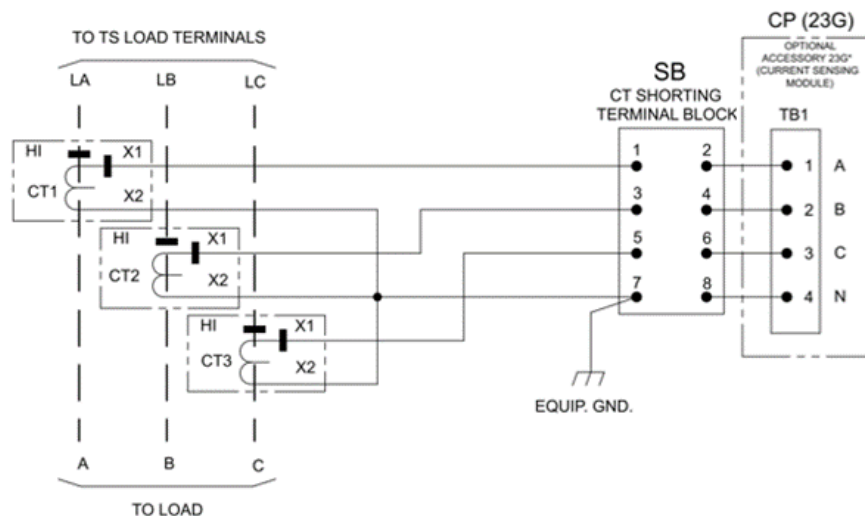
Current Transformer Ratio Table	
Switch Rating	CT Ratio
260A	300:5A
400A	400:5A
800A	800:5A
1000A	1200:5A
1200A	1200:5A



Accessory 23GB

Three phase metering card along with the included CT's and shorting block. This allows the user to see the current measurements on the load terminals through the controller interface.

Current Transformer Ratio Table	
Switch Rating	CT Ratio
260A	300:5A
400A	400:5A
800A	800:5A
1000A	1200:5A
1200A	1200:5A

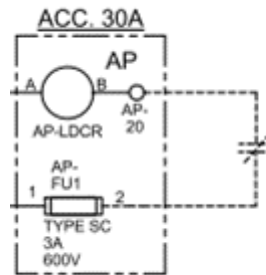


Accessory 30A

Load Shedding circuit to match the generator capacity to the load.

If the transfer switch is connected to emergency and the contact is opened, the transfer switch will return to the normal side regardless of the normal source status.

This accessory is only available on open transition transfer switches.



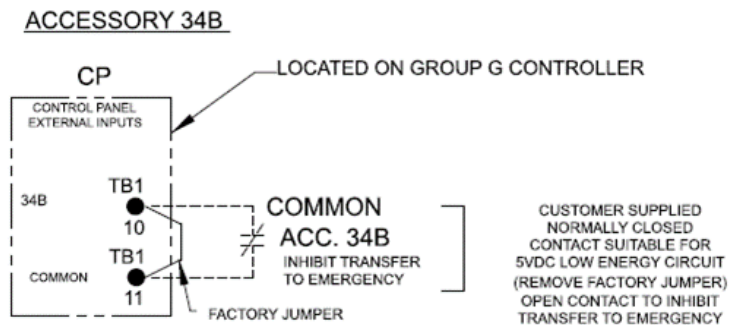
CUSTOMER SUPPLIED
NORMALLY CLOSED
CONTACT
120V VAC, 8VA MAX.
CONTACT CLOSURE PERMITS
LOAD CONNECTION TO EMERGENCY

Accessory 34B

Inhibit Transfer to Emergency.

Requires customer side normally closed contact that will prevent the transfer switch from transferring to emergency.

This feature will label the switch as Non-Automatic Type.



CUSTOMER SUPPLIED
NORMALLY CLOSED
CONTACT SUITABLE FOR
5VDC LOW ENERGY CIRCUIT
(REMOVE FACTORY JUMPER)
OPEN CONTACT TO INHIBIT
TRANSFER TO EMERGENCY

Accessory 44G

Strip heater for outdoor enclosures powered internally by the load terminals of the transfer switch.

This accessory comes with a mounting bracket with strip heater, thermostat, and terminal block.

Accessory 62W

An audible alarm to indicate that the switch has transferred to emergency along with a switch to silence that alarm.

This is part of the City of Chicago electrical standards.

Accessory 72EE

A communications accessory that provides a Modbus TCP/IP interface into the transfer switch.

It also provides access to the switch through an embedded web page.
Email notification of critical events.

Feature Summary:

- 4 Ethernet Ports
- Modbus TCP/IP, SNMP, SMTP Protocols Available.



Accessory 73

Surge suppresser mounted integral to the transfer switch rated at 100kA per mode or 200kA per phase.

Accessory 119BG

Provides a 120 VAC shunt trip terminal to trip the main breaker in a Service Entrance transfer switch.

The 120 VAC signal is provided from an external source.

Accessory 119M

Provides ERMS capability to comply with NEC 240.87 Arc Energy Reduction requirements.

Should be added to Service Entrance switches that are 1200A and larger unless the end user is complying with this code requirement in some other way.



Accessory 125A

Includes seismic certification and construction on transfer switches where required by specification.

This is certified by shake table testing and is not applied using calculated values.

Accessory 135L

Provides ASCO's digital power meter to measure the load side of the transfer switch.

Measures:

Voltage, Current, Frequency.

Calculates:

Power, Energy, and Power Factor.

Accessory 134

Provides 100% Rating on molded case circuit breakers carrying this accessory code.

Traditional MCCB's are rated at 80%. This can be increased using Accessory 134 if required by the specification.



Automatic Transfer Switch Kits

Parts sometimes need to be added separately from the switch and would need to be added as a kit. The part numbers for the kits are as follows:

5310 ANNUNCIATOR ASSY 1CH	827420
5350 ANNUNCIATOR ASSY 8CH	511440
5350 8CH ANNUNCIATOR with Total Assembly Package .	K871966-001
72EE - ASCO 5140 Quad-Ethernet	948551
18RX Kit	935148
11BE Kit	935147
1UP Kit	935149
STRIP HEATER KIT (ACC. 44G) 480 - 600V	K613127-002
STRIP HEATER KIT (ACC. 44G) 208-240V	K613127-003
STRIP HEATER KIT (ACC. 44A) 120V	K613127-001
STRIP HEATER for J 44G 208-240V	K611369-009-A

5310 ANNUNCIATOR 1CH

The single channel annunciator is able to display the information for a single ATS.

The ATS needs to be equipped with accessory 72EE to allow for communications between the ATS and the annunciator.



5350 ANNUNCIATOR 8CH

The single channel annunciator is able to display the information for up to 8 ATS's.

The ATS needs to be equipped with accessory 72EE to allow for communications between the ATS and the annunciator.



5350 ANNUNCIATOR COMPLETE ASSEMBLY

Includes 5350 Annunciator along with Surface and Flush Mount Hardware along with power supply.

The ATS needs to be equipped with accessory 72EE to allow for communications between the ATS and the annunciator.



18RX Kit

Kit to field install the 18RX accessory.

Please refer to the 18RX accessory section for description and function.

1UP Kit

Kit to field install the 1UP accessory.

Please refer to the 1UP accessory section for description and function.

44A Kit

Kit to field install the 44A accessory.

This accessory receives power from an external 120 VAC source and does not rely on the power of the ATS.

11BE Kit

Kit to field install the 11BE accessory.

Please refer to the 11BE accessory section for description and function.

44G Kit

Kit to field install the 44G accessory at the appropriate voltage level.

Please refer to the 44G accessory section for description and function.

Manual Transfer Switch and Quick Connect Accessories

Section Contents

MTS Control Panel	14
Accessory 170B (Indicator Panel)	14
Accessory 170BP (170BP + Phase Rot.)	14
Accessory 170BP1(170BP + I/O)	15
Accessory 170EP (Panel, Engine Start, Phase Rot.)	15
Accessory 170EP1 (170EP + I/O)	15
Accessory 171QC (Quick Connect Accessories)	15

ASCO MTS Control Panel



Accessory 170B

Adds indicator panel to annunciate source availability and switch position.

Adds an externally supplied 24 VDC Connection for auxiliary power to indicator panel.

Accessory 170BP

Adds indicator panel to annunciate source availability and switch position.

Adds an externally supplied 24 VDC Connection for auxiliary power to indicator panel.

Adds a relay and switch to sense incorrect phase rotation and provides LED indication.

Accessory 170BP1

Adds indicator panel to annunciate source availability and switch position.

Adds an externally supplied 24 VDC Connection for auxiliary power to indicator panel.

Adds a relay to sense incorrect phase rotation and provides LED indication.
Adds IO Module

Accessory 170EP1

Adds indicator panel to annunciate source availability and switch position.

Adds an externally supplied 24 VDC Connection for auxiliary power to indicator panel.

Adds a relay to sense incorrect phase rotation and provides LED indication.

Provides a maintained type engine start selector switch and Common Alarm LED / Contact

Adds IO Module

Accessory 170EP

Adds indicator panel to annunciate source availability and switch position.

Adds an externally supplied 24 VDC Connection for auxiliary power to indicator panel.

Adds a relay to sense incorrect phase rotation and provides LED indication.

Provides a maintained type engine start selector switch and Common Alarm LED / Contact

Accessory 170EP

400A / 800A Wall Mount Units:

- Phase Rotation Monitor + Fuses
- Engine Start Terminal Post
- Provisions for Trap/Kirk Key Interlock

1200A / 1600A Floor Mount Units

- Enclosure for Bottom Cable Entry

Appendix

Section Contents

- Option Relays 17
- Common Alarm 17
- Annunciator Controls and Indicators 18

Option Relays

Option relays are configured in the Group G controller to act as a signal for a variety of conditions. They can be set up to actuate based on:

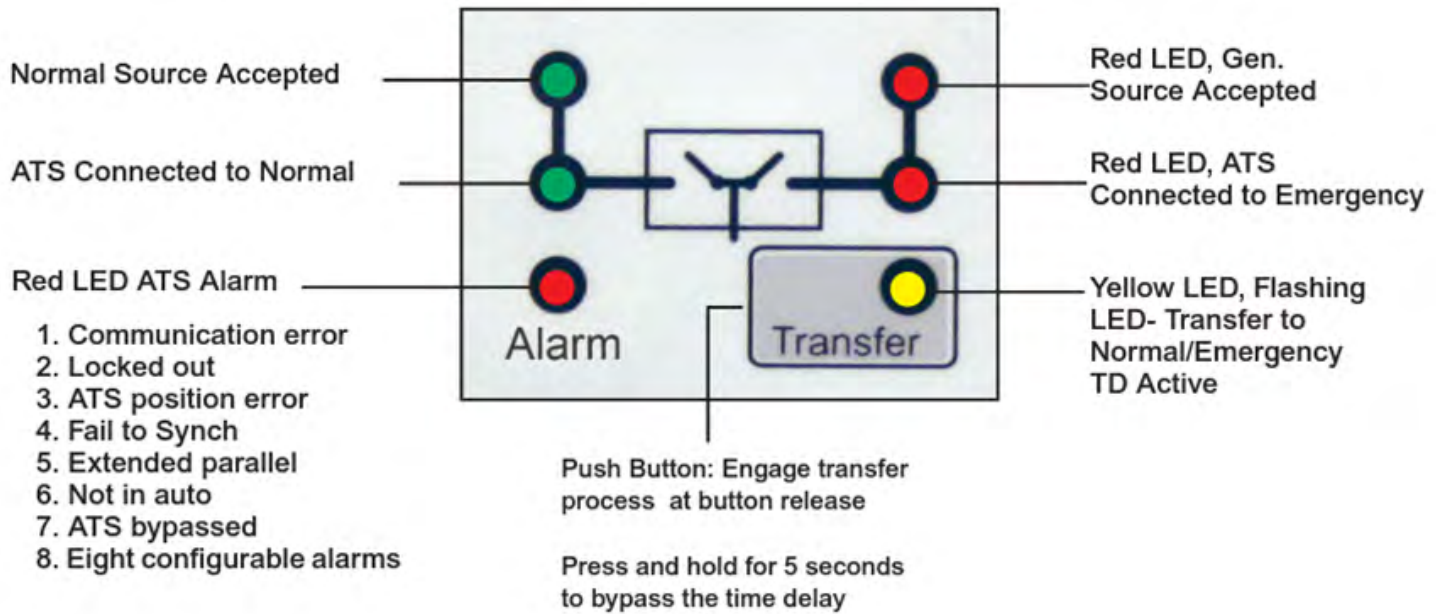
- Common Alarm – Annunciate if any of a set of conditions are true, see Common Alarm in Appendix.
- Accessory 31 – Act as pre or post signal disconnect signal.
- Accessory 1G – OP2 can be configured to accept 24VDC external power.
- Not in Auto – the output contacts change position when the transfer is being inhibited from transferring to the emergency source (Feature 34B) or the transfer switch has been set for Non-Automatic (Manual) operation.
- Additional Engine Start Contact

Common Alarm

The common alarm will signal any of the conditions on the below list. They can be enabled or disabled from the controller interface depending on what conditions the user is interested in.

- This screen shows selected alarm conditions. If enabled, the alarm condition will turn on the alert indicator and deenergize the configured common alarm output relays (OP1, and optional OP2, OP3) for external monitoring.
- TS on Emergency-active when TS is connected to the Emergency source
- Normal Failure-active when the power on the Normal source does not meet acceptability requirements
- Loss E when on E-active when there is a loss of Emergency when connected to Emergency.
- E Accept Fail-active when Emergency fails to become acceptable before the timer expires
- Engine Input-(only available when Accessory 30 is not being used) active when the external alarm signal to the engine input is active
- Load Disconnect-(for Delayed Transition Switches only) active when TS is disconnected from both sources

Annunciator Controls and Indicators





ASCO Power Technologies - Global Headquarters
160 Park Avenue
Florham Park, NJ 07932
Tel: 800 800 ASCO

www.ascopower.com
customercare@ascopower.com